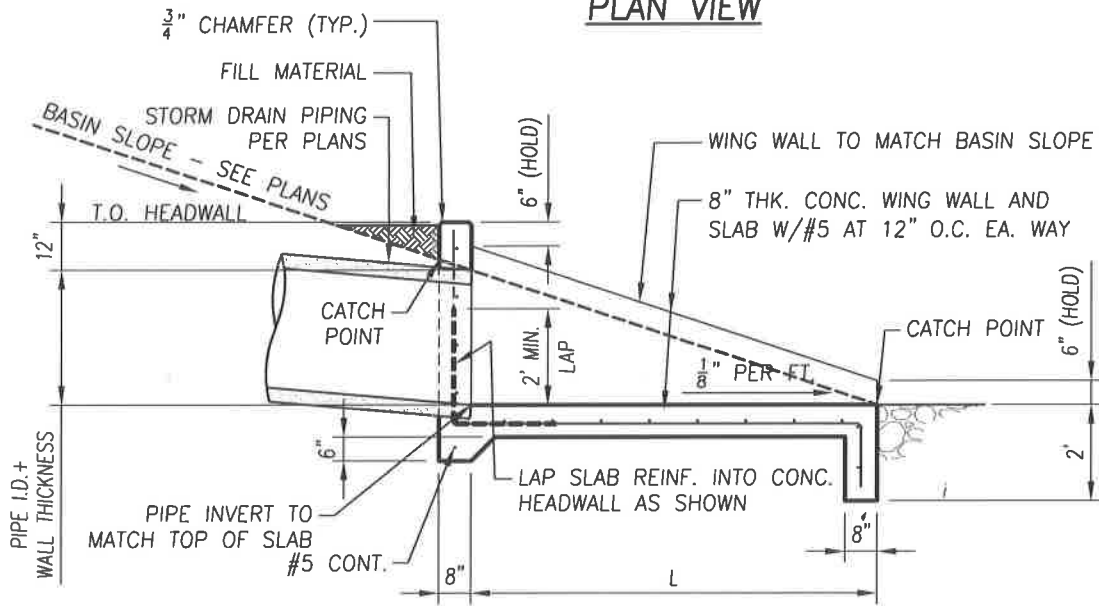
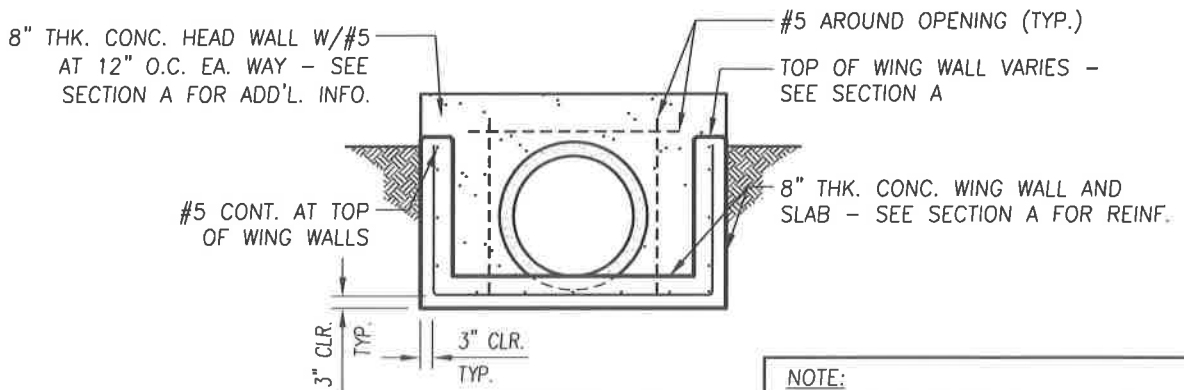


**PLAN VIEW**



$$L = [\text{PIPE I.D.} + \text{PIPE WALL THICKNESS}] \times [\text{BASIN SLOPE (H:V)}]$$

**SECTION A**



**SECTION B**

NOTE:  
GRATE NOT SHOWN FOR CLARITY - SEE  
DRAWING NO. 3310, SHEET 2 OF 2

REVISIONS	DATE



**CITY OF TULARE**  
PUBLIC IMPROVEMENT STANDARD

**CAST-IN-PLACE  
OUTLET STRUCTURE**

DRAWING NO.:  
**3310**

Approved By: Michael W. Miller  
Date: 11/15/16 City Engineer

1 OF 2