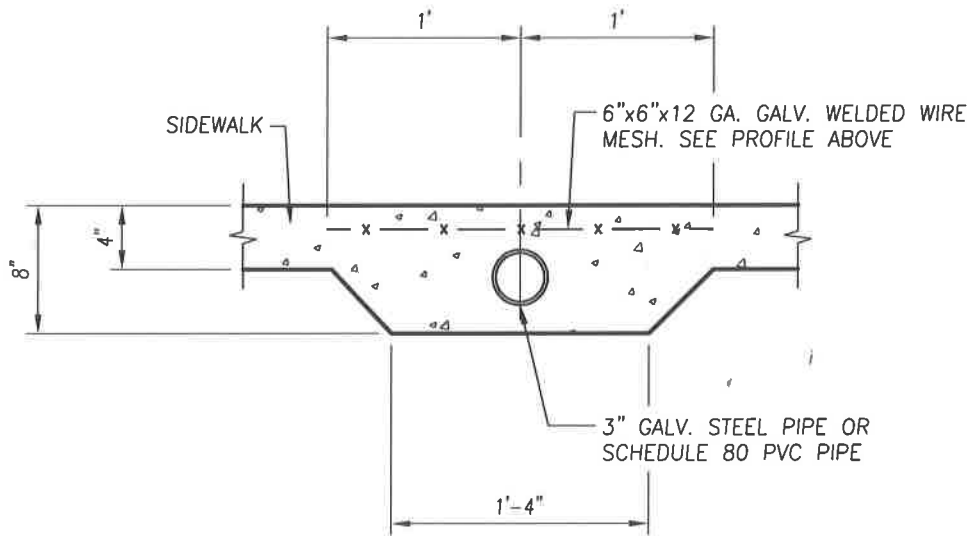


PROFILE VIEW



SECTION A-A

REVISIONS	DATE



CITY OF TULARE
PUBLIC IMPROVEMENT STANDARD
EMBEDDED DRAINAGE PIPING
UNDER SIDEWALK

DRAWING NO.:

3210

Approved By:

Michael W. Miller

Date: 11/15/16

City Engineer

1 OF 1